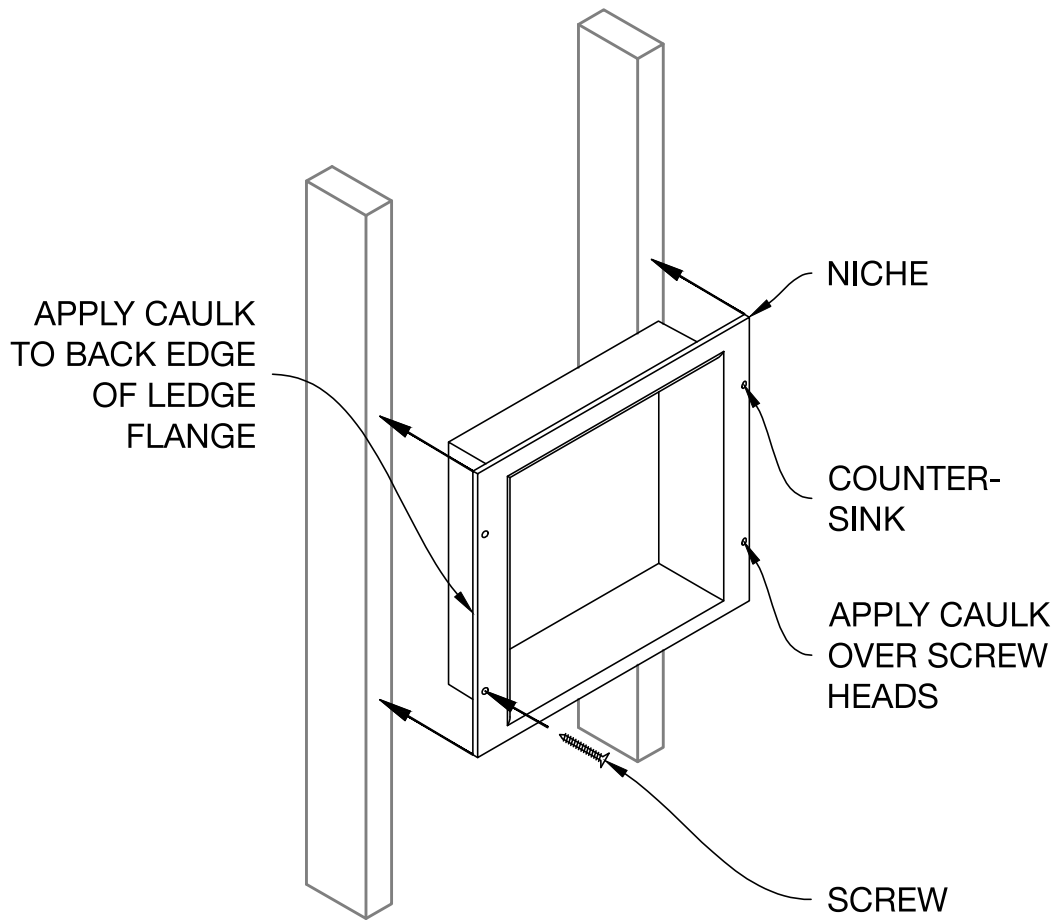


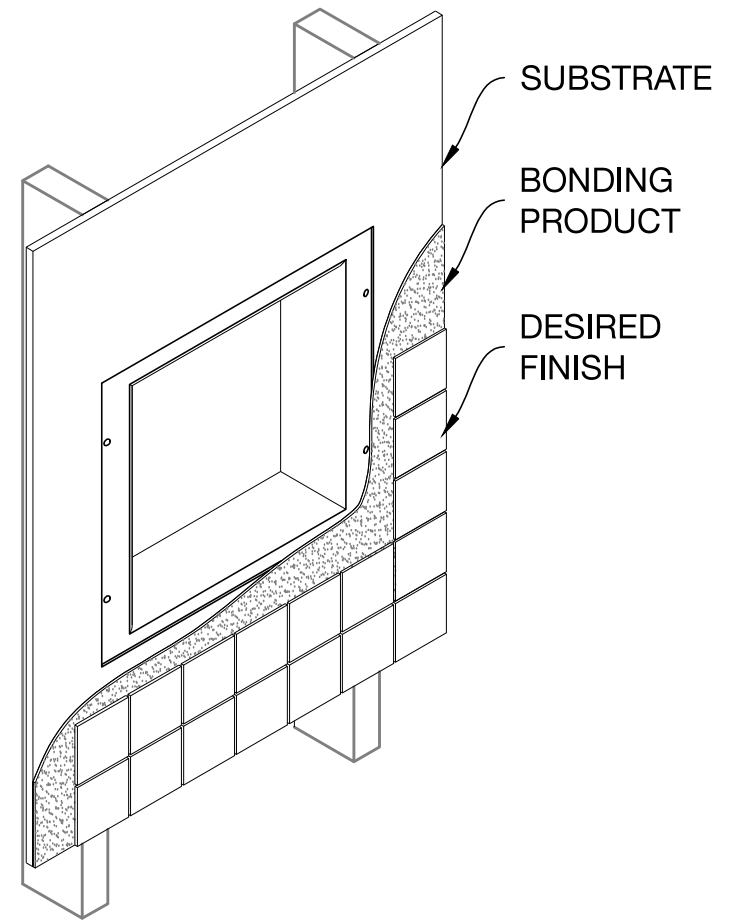
# INSTALLATION DETAILS

## STEP ONE: INSTALL NICHE



FASTEN THROUGH PRE-DRILLED HOLES TO FRAMING WITH 1-1/2" COARSE WOOD SCREWS.

## STEP TWO: FINISHING



ADD SUBSTRATE TO FRAMING AROUND FLUSH-MOUNT NICHE. APPLY BONDING PRODUCT AND DESIRED FINISH.