

4

3

2

1

D

D

C

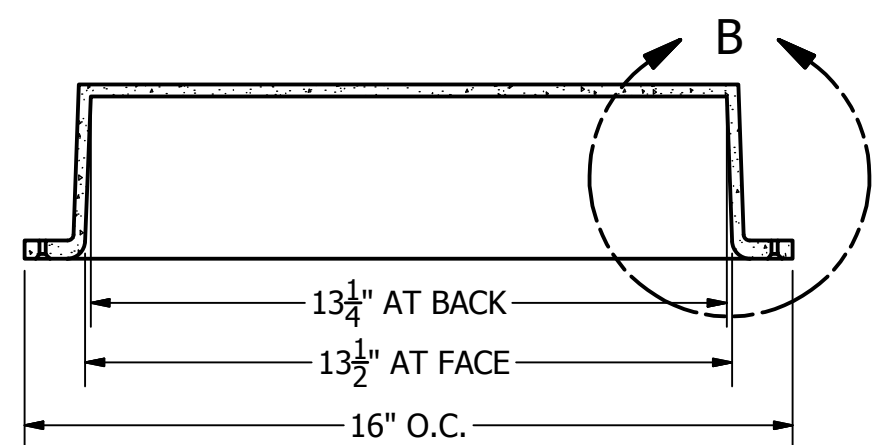
C

B

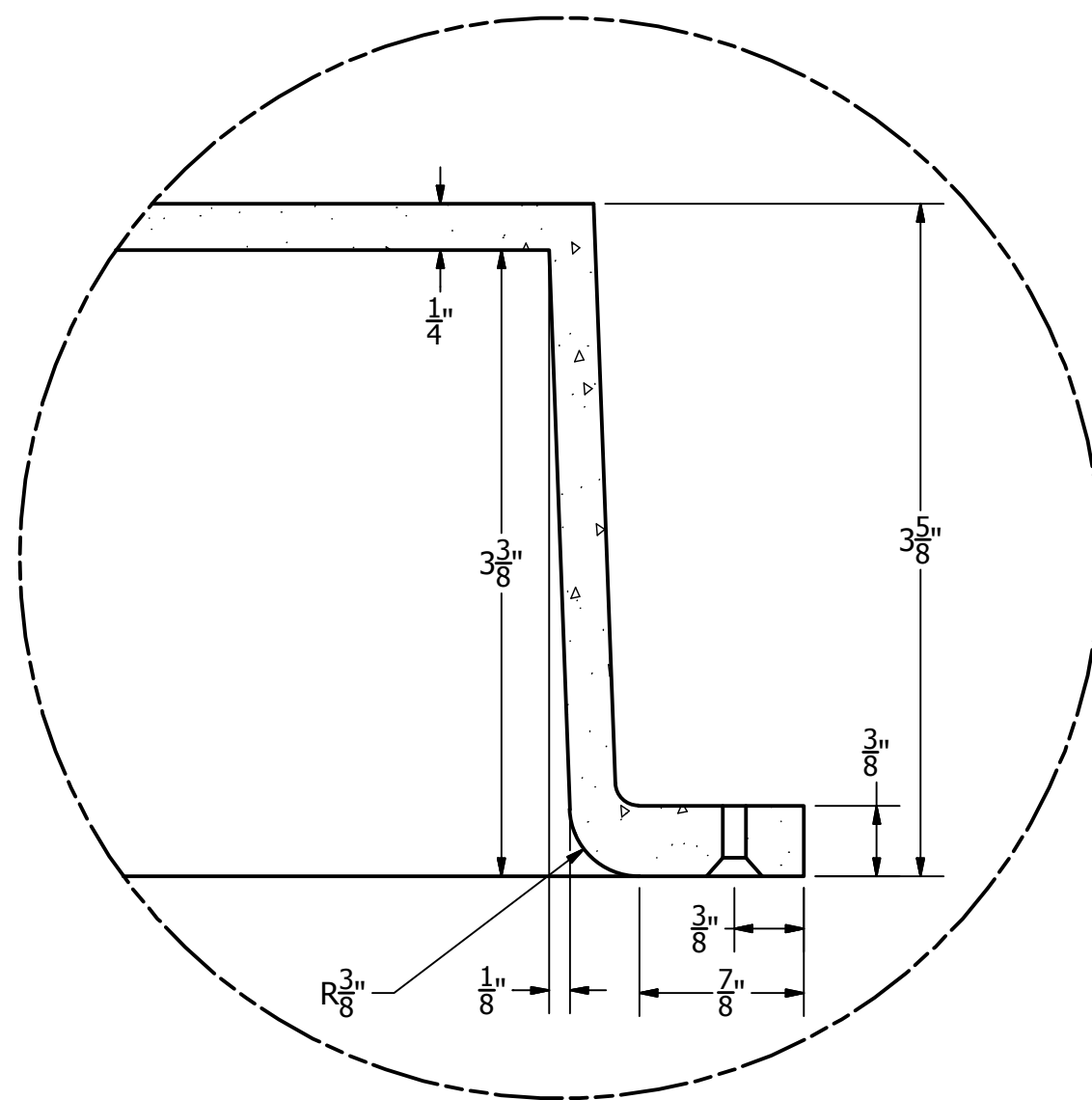
B

A

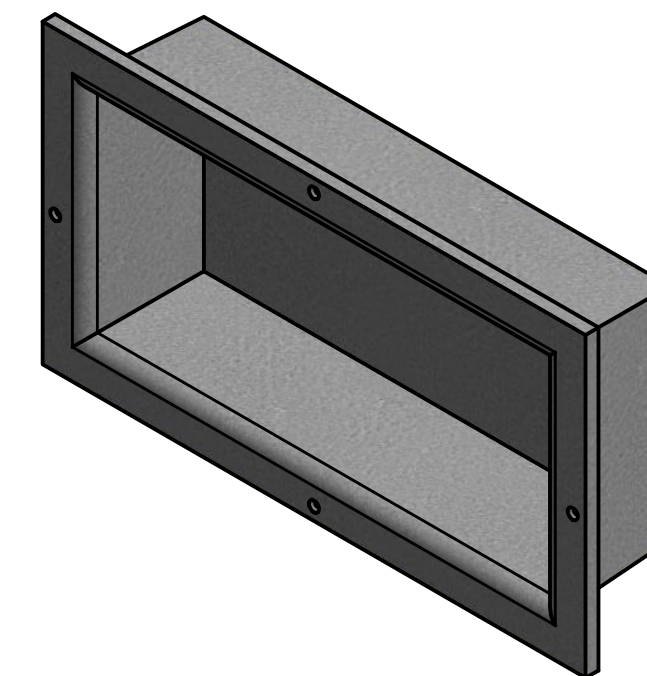
A



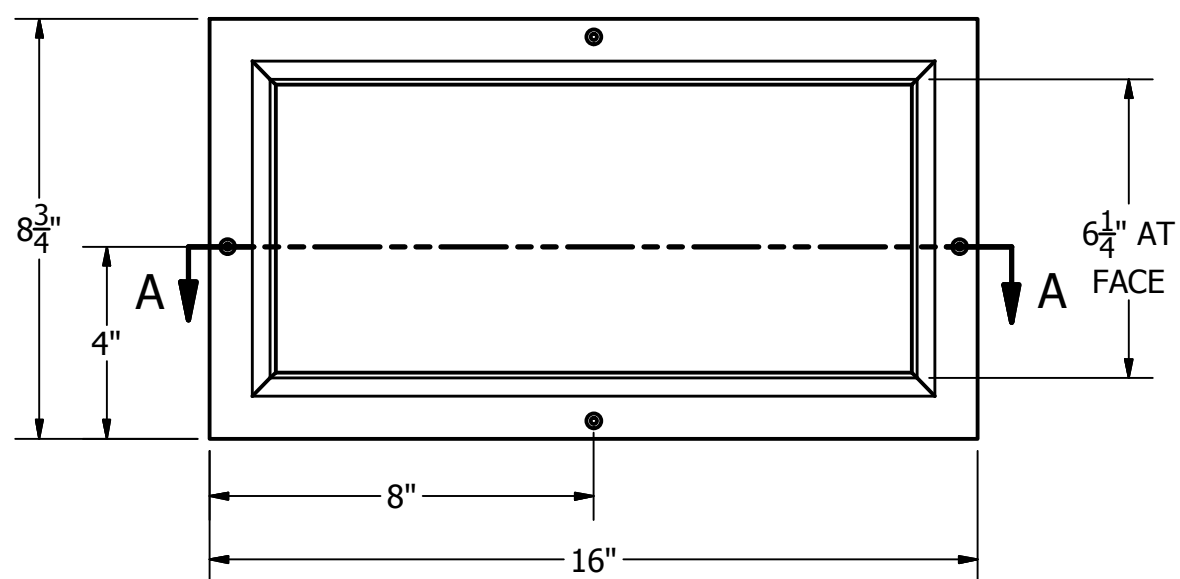
SECTION A-A  
SCALE 1 / 4



DETAIL B  
SCALE 1 : 1



ISO VIEW  
SCALE 1 / 4



FRONT VIEW  
SCALE 1 / 4

DRAWN R.E.E.	3/15/2017	LEDGE PRODUCTS		
		TITLE SHOWER NICHE		
		PART NUMBER 13.5 x 6.25		
APPROX. WEIGHT 6.3 lbmass		SIZE C	DWG NO 13.5 x 6.25	REV
		SCALE 1 / 4		SHEET 1 OF 1

4

3

2

1

4