

4

3

2

1

D

D

C

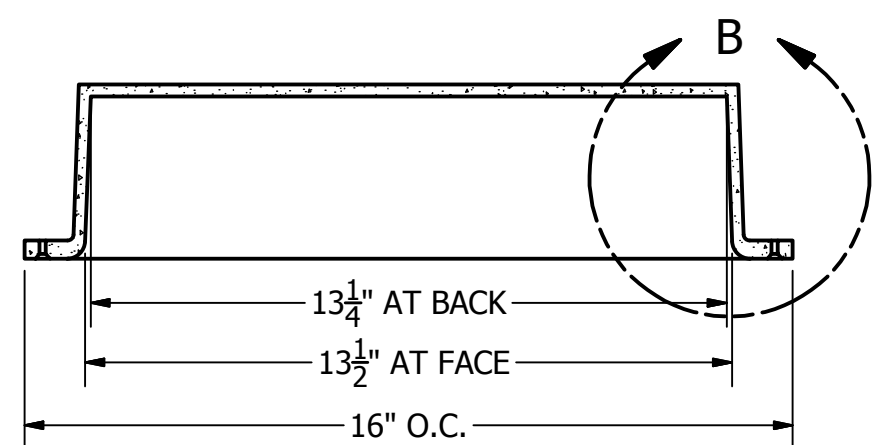
C

B

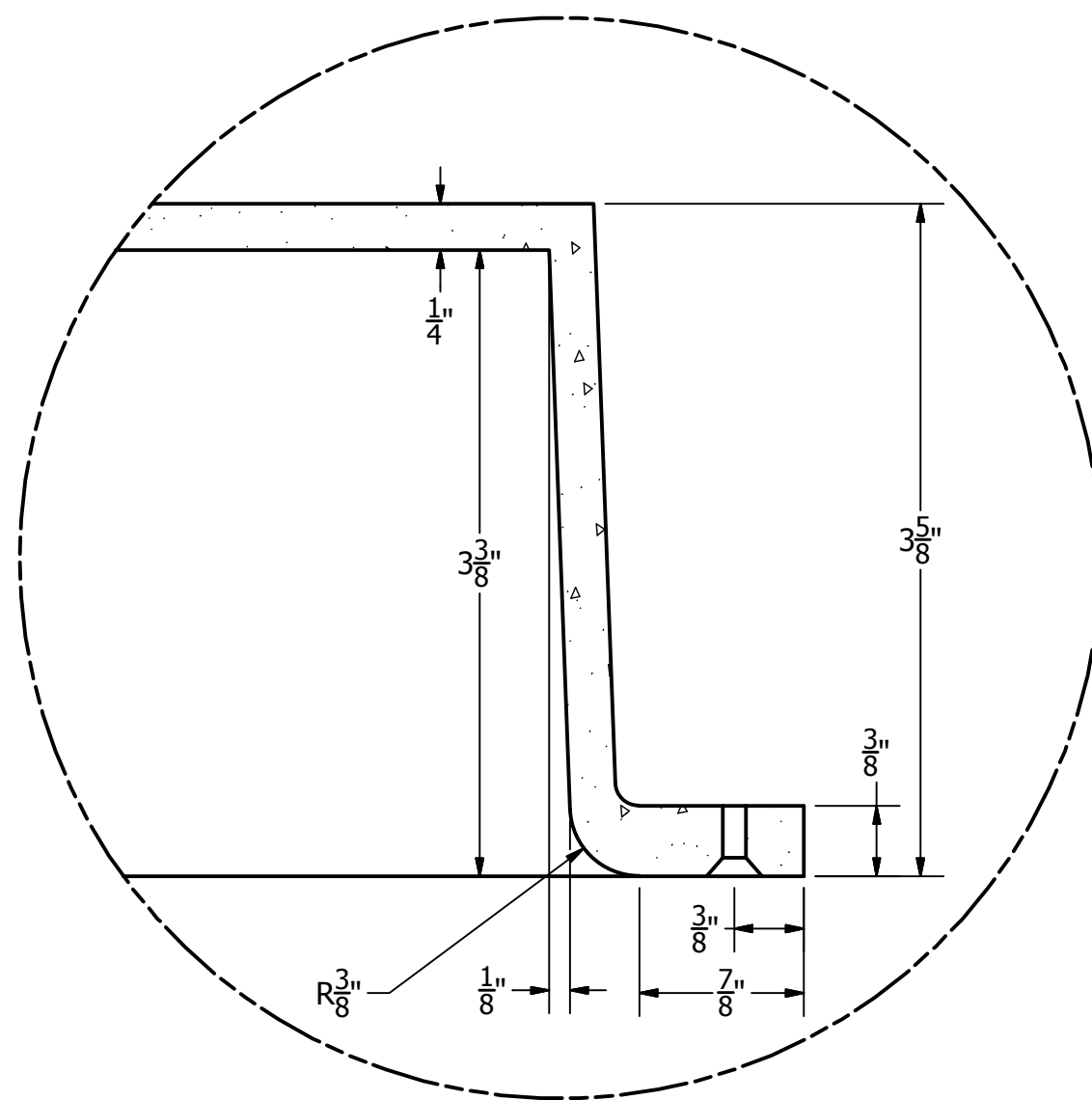
B

A

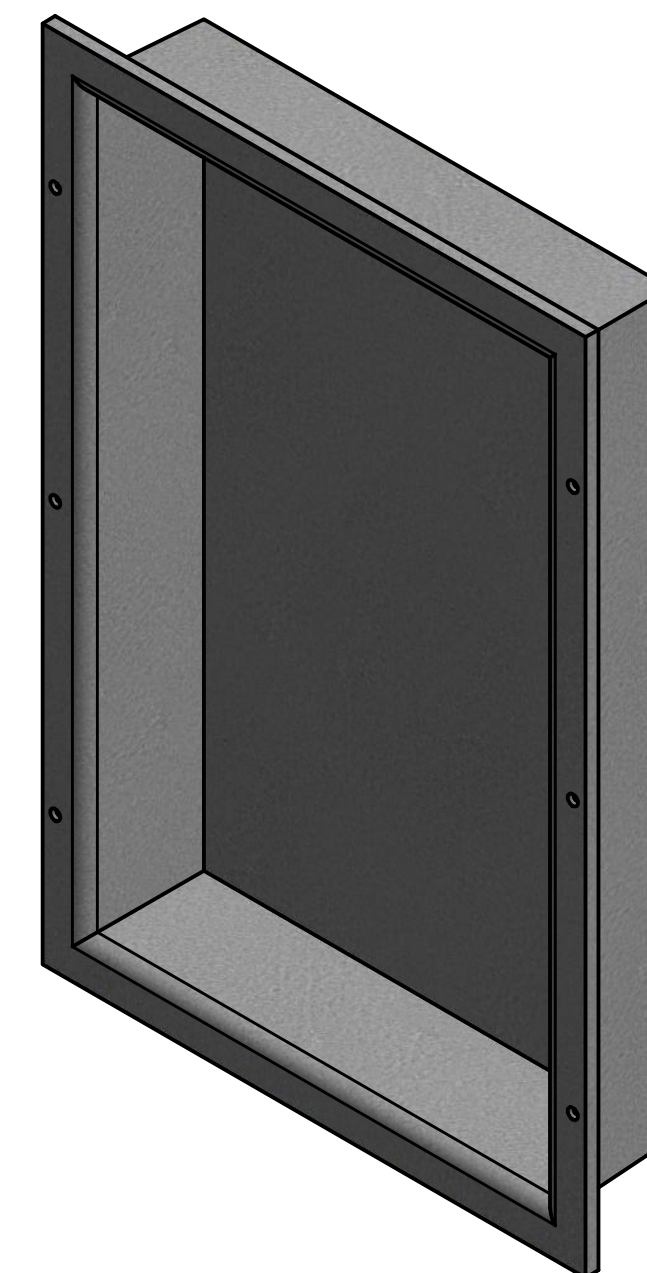
A



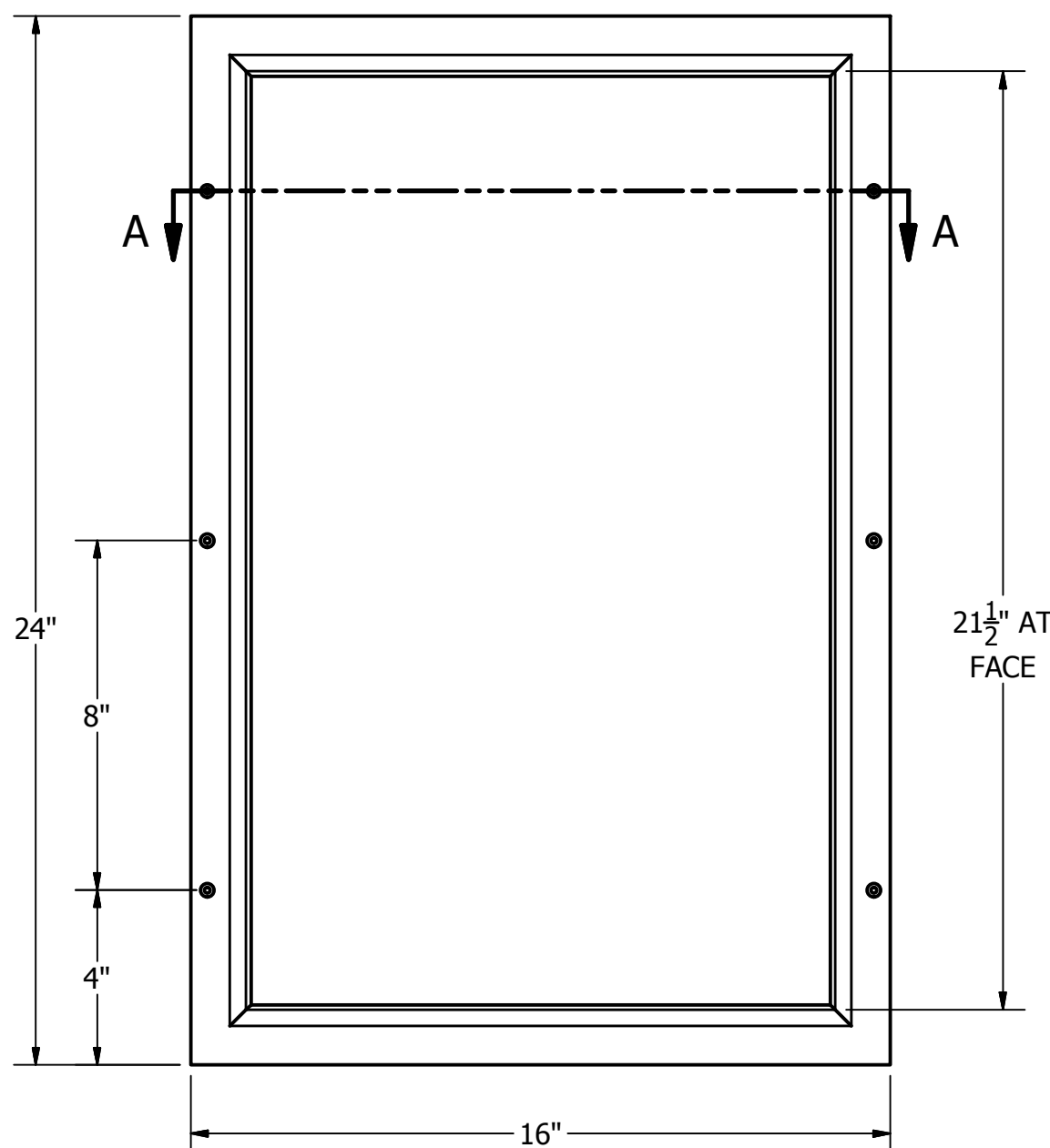
SECTION A-A
SCALE 1 / 4



DETAIL B
SCALE 1 : 1



ISO VIEW
SCALE 1 / 4



FRONT VIEW
SCALE 1 / 4

DRAWN R.E.E.	3/15/2017	LEDGE PRODUCTS		
		PART NUMBER 13.5 x 21.5		
APPROX. WEIGHT 14.1 lbmass		SIZE C	DWG NO 13.5 x 21.5	REV
		SCALE 1 / 4	SHEET 1 OF 1	