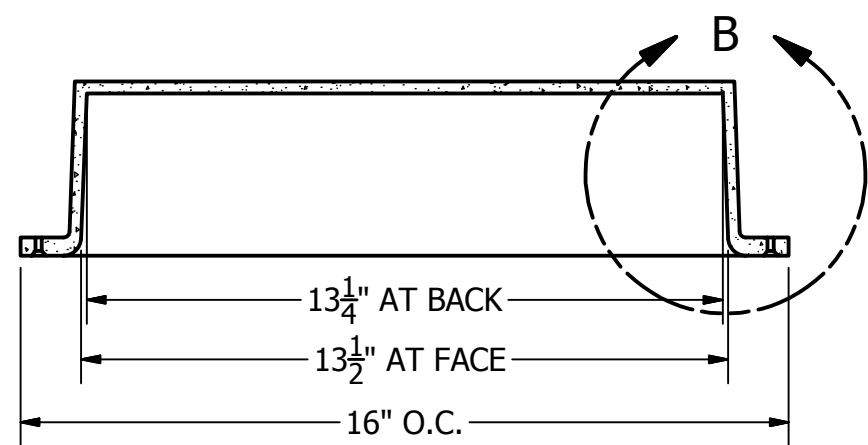
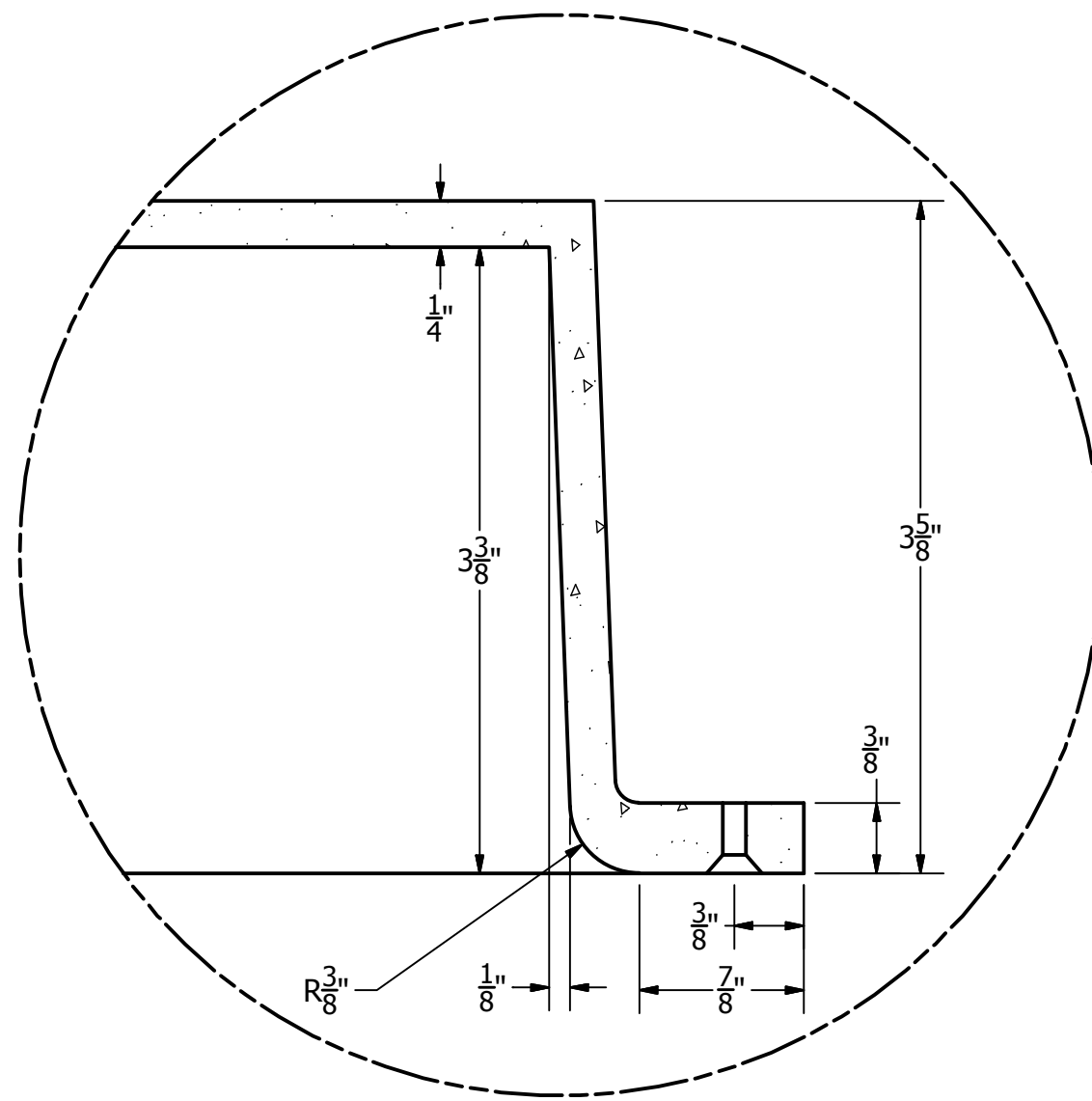


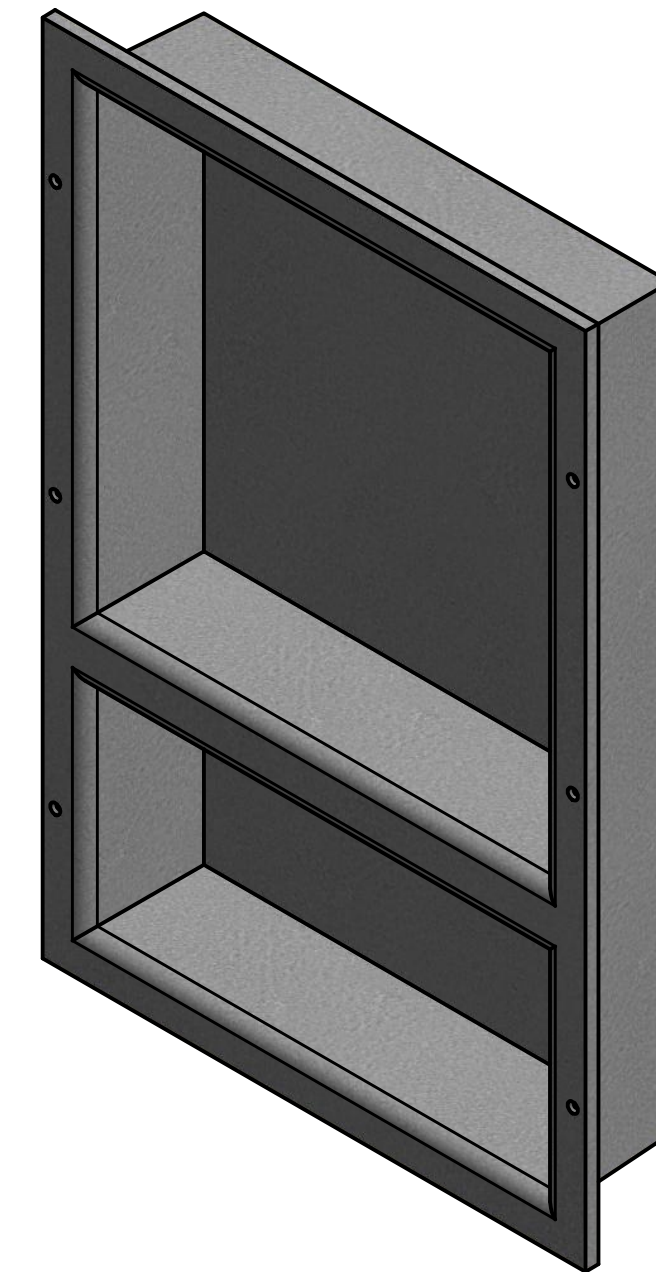
SECTION C-C  
SCALE 1 / 4



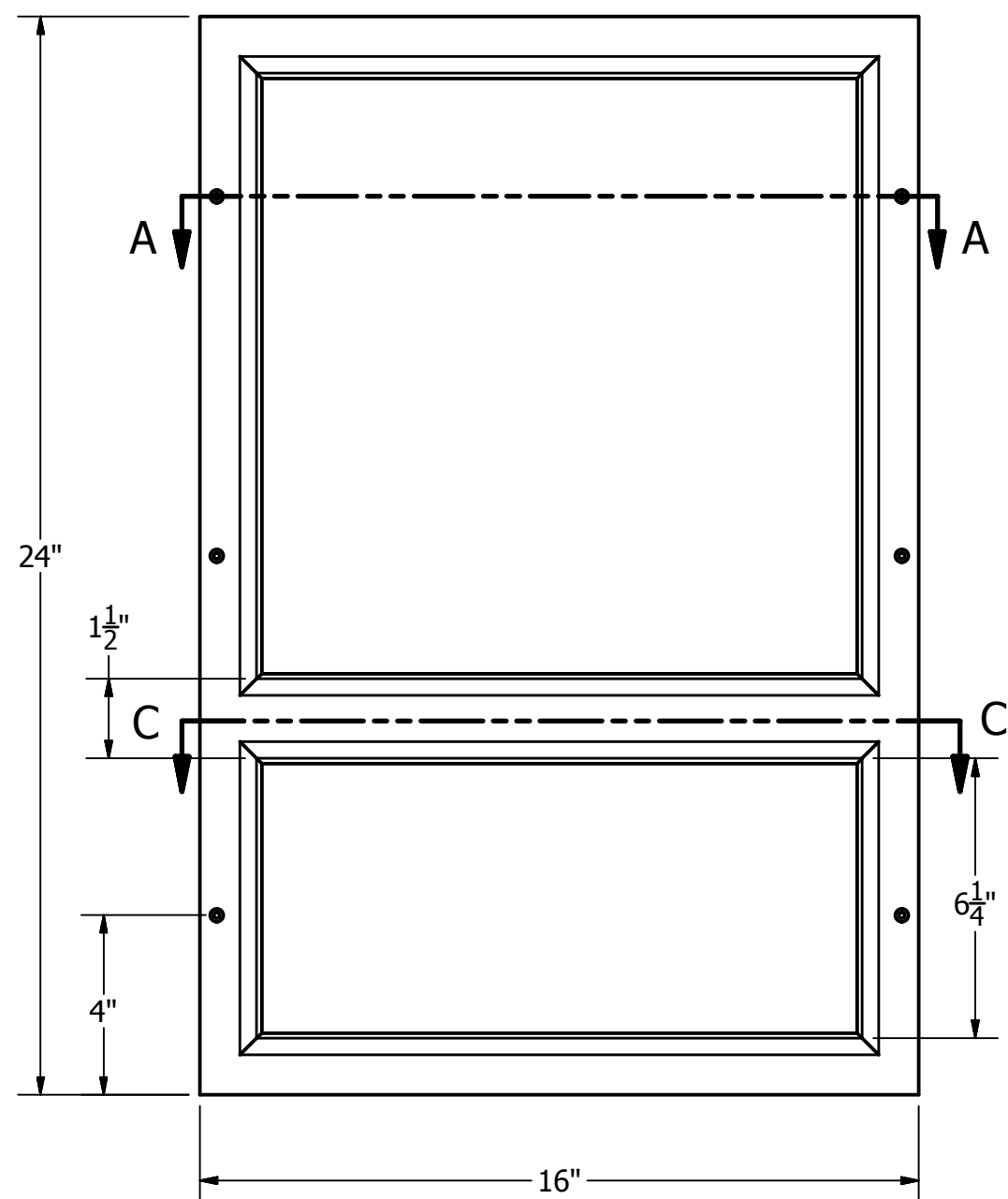
SECTION A-A  
SCALE 1 / 4



DETAIL B  
SCALE 1 : 1



ISO VIEW  
SCALE 1 / 4



FRONT VIEW  
SCALE 1 / 4

DRAWN R.E.E.	3/15/2017	LEDGE PRODUCTS		
		TITLE SHOWER NICHE		
		PART NUMBER DOUBLE		
APPROVED		SIZE C	DWG NO DOUBLE	REV
APPROX. WEIGHT 16.0 lbmass		SCALE 1 / 4	SHEET 1 OF 1	